

Instruction Manual

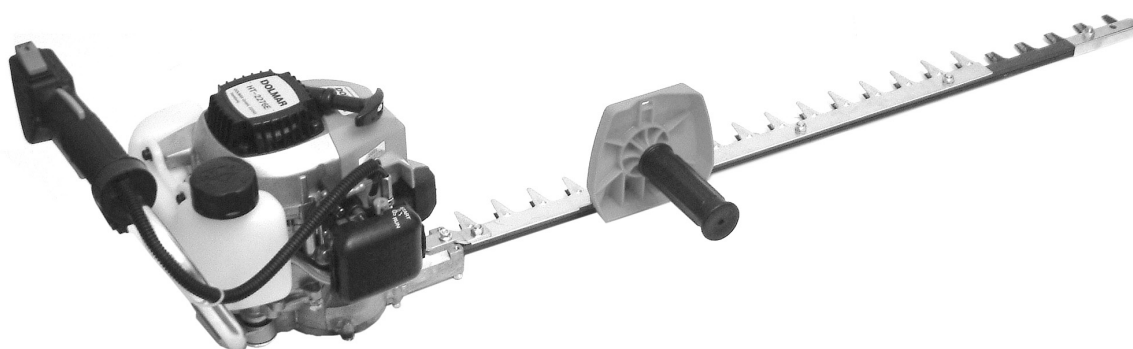
Important:

Read this instruction manual carefully before putting the hedge trimmer into operation and strictly observe the safety regulations!

Keep this instruction manual!



HT-2556 D



HT-2576 E

<http://www.dolmar.com>

DOLMAR



Thank you for purchasing a DOLMAR product!

Congratulations on your new DOLMAR power hedge trimmer! We hope that you will be satisfied with this modern tool. DOLMAR is the world's oldest manufacturer of power chainsaws (since 1927). We have the longest experience in the business, and every DOLMAR hedge trimmer benefits from that experience.

The HT-2556 D and HT-2576 E models are especially handy and robust hedge trimmers, with plenty of performance and a good power-to-weight ratio.

The ergonomic design of the grips and controls make for comfortable and untiring operation during extensive jobs.

The safety features of the HT-2556 D and HT-2576 E hedge trimmers are the current state of the art and comply with all national and international safety regulations. They comprise hand protection features on the front grips and a safety cutoff.

In order to ensure the proper functioning and performance of your new hedge trimmer, and to safeguard your own personal safety, it is imperative that you read this instruction manual thoroughly before operation. Be especially careful to observe all safety precautions! Failure to observe these precautions can lead to severe injury or death!



EU Conformity Declaration

The undersigned, Shigeharu Kominami and Rainer Bergfeld, as authorized by DOLMAR GmbH, declare that the DOLMAR machines,

Type: Hedge trimmer

HT-2556 D

HT-2576 E

manufactured by DOLMAR GmbH, Jenfelder Str. 38, 22045 Hamburg, Germany, conforms to the basic safety and health requirements of the applicable EU guidelines:

EU Machine guideline 98/37/ EG, EU EMC guideline 89/336/ EWG (modified by 91/263/ EWG, 92/31/ EWG and 93/68/ EWG), Noise emission 2000/14/EG.

The most important standards applied to properly meet the requirements of the above EU guidelines were: EN 774.

The conformity assessment procedure 2000/14/EG was performed per Annex V. **HT-2556:** The measured noise level (L_{wa}) is 107 dB(A). The guaranteed noise level (L_d) is 109 dB(A).

HT-2576: The measured noise level (L_{wa}) is 110 dB(A). The guaranteed noise level (L_d) is 111 dB(A).

Hamburg, 1.3.2006
For DOLMAR GmbH


Shigeharu Kominami
Managing Director


Rainer Bergfeld
Managing Director

Table of contents	Page
Conformity Declaration	2
Packaging	2
Delivery inventory	3
Symbols	3

SAFETY PRECAUTIONS

General precautions	4
Protective equipment	4
Fuels / Refuelling	4-5
Putting into operation	5
Working technique	6
Transport and storage	6
Maintenance	6
First aid	6
Technical data	7
Designation of components	7

PUTTING INTO OPERATION

Fuels	8
The Storage of Fuel	8
Refuelling	9
Starting position HT-2556 D	9
Starting position HT-2576 E	9
Cold start	10
Warm start	10
Stopping the engine	10
Adjusting the carburetor (idle speed)	10
Tips on hedge-trimming	11

MAINTENANCE

General	12
Adjusting the cutter slide play	12
Cleaning the air filter insert	12
Replacing the spark plug	13
Checking the ignition spark	13
Checking the muffler screws / Checking the exhaust outlet	13
Replacing the suction head	14
Lubricating the drive	14

Instructions for periodic maintenance

Service, spare parts and guarantee	15
Trouble shooting	16
Extract from spare parts list	16
Service centres (see enclosure)	

Packaging

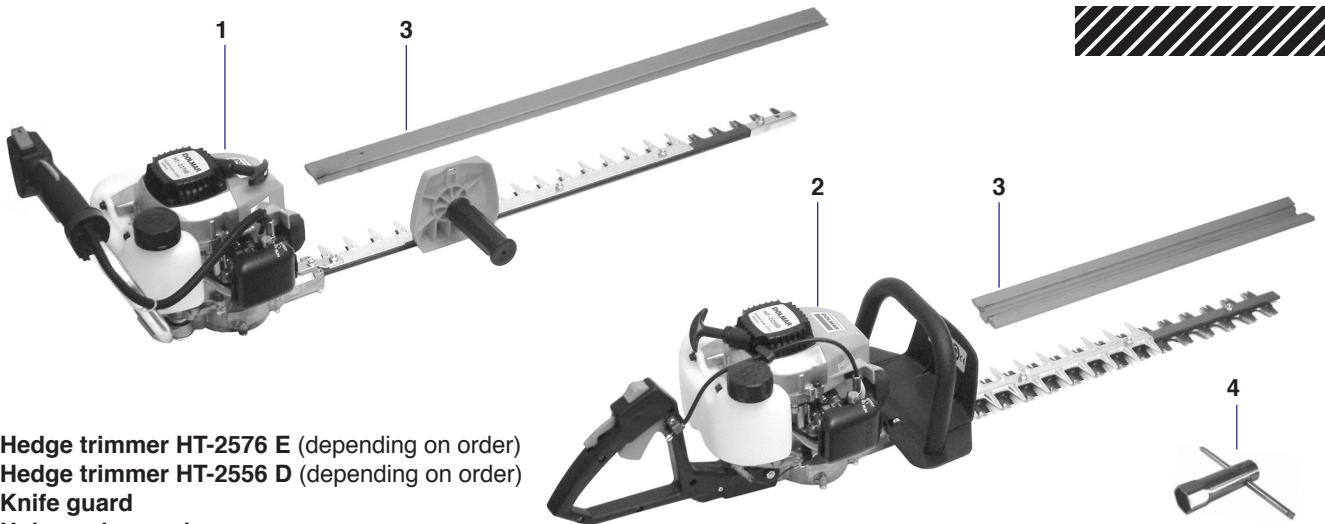
Your DOLMAR hedge trimmer is delivered in a cardboard box to protect it during shipping.

Cardboard is a basic raw material and is consequently reuseable or suitable for recycling (waste paper recycling).



Delivery inventory

DOLMAR



1. Hedge trimmer HT-2576 E (depending on order)
2. Hedge trimmer HT-2556 D (depending on order)
3. Knife guard
4. Universal wrench
5. Instruction Manual (not shown)

In case one of the parts listed should not be included in the delivery inventory, please consult your sales agent.

Symbols

You will notice the following symbols on the hedge trimmer and in the Instruction Manual:

	Read Instruction Manual and follow all warnings and safety instructions!		Fuel and oil mixture
	Particular care and attention!		Cold starting lever (Choke)
	Forbidden!		Start engine
	Wear eye and hearing protection!		Switch off motor!
	Wear protective gloves!		On/Off switch
	No smoking!		First aid
	No open fire!		Recycling
	Stop engine!		CE-marking

SAFETY PRECAUTIONS

General precautions

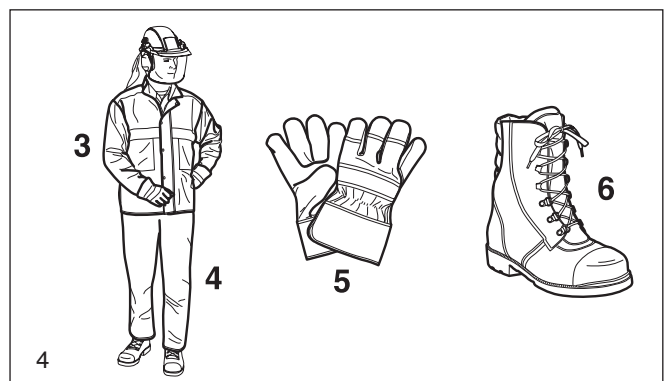
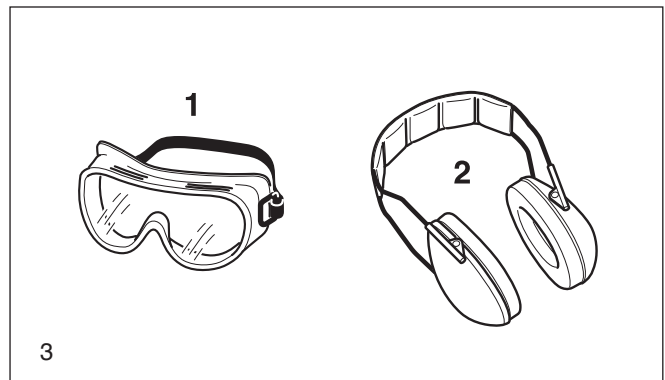
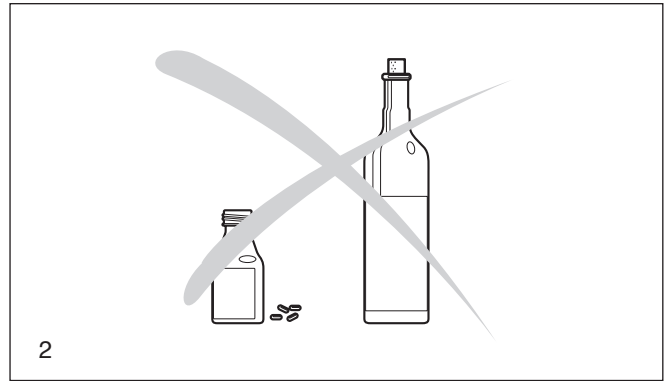
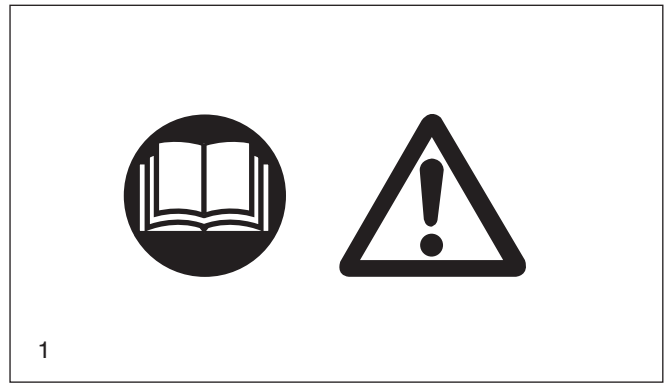
- In order to ensure safe operation, the operator must read **this instruction manual** to familiarize him or herself with the operation of the hedge trimmer. Users insufficiently informed will endanger themselves as well as others due to improper handling.
- Lend the hedge trimmer only to persons who are experienced in the use of such machines. Always give the the instruction manual.
- First-time users should ask the salesperson to familiarize them with the characteristics of power trimmers.
- Persons under 18 years of age must not be allowed to operate the hedge trimmer. Persons over the age of 16 years may, however, use the hedge trimmer for instructional purposes as long as they are under the supervision of a qualified individual.
- Always pay the utmost attention when using the hedge trimmer!
- Use the hedge trimmer only if you are in good physical condition. If you are tired, your attention will be reduced. Be especially careful at the end of a working day. Perform all work calmly and carefully. The user is responsible for all damages to third parties.
- Never use the trimmer when under the influence of alcohol, drugs or medication.
- A fire extinguisher must be available in the immediate vicinity when working in easily inflammable vegetation or when it has not rained for a long time (danger of fire).

Protective equipment

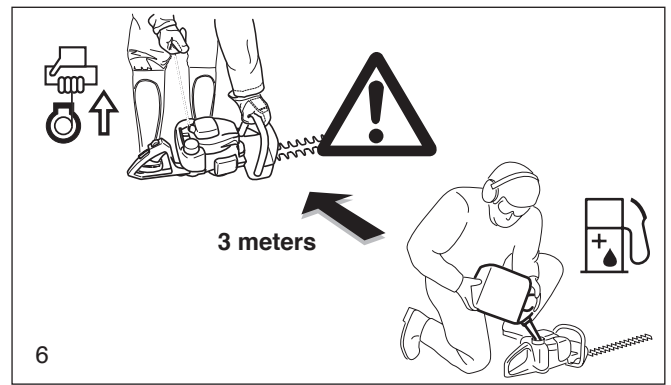
- In order to prevent, eye, hand and foot injuries as well as hearing loss, always wear the protective clothing and gear described in the following when working with the hedge trimmer.
- Clothing should be appropriate, i. e. snugly fitting but not so tight as to be a hindrance. Do not wear jewellery or clothing which could get caught on twigs and branches. If you have long hair, always wear a hairnet!
- **Eye protection** (1) keeps wood chips out of the eyes. It is important to wear protective goggles or face protection whenever working with the hedge trimmer, in order to prevent eye injury.
- Wear adequate **hearing protection equipment** (ear muffs (2), ear plugs, etc.). Octave band analysis upon request.
- The **safety jacket** (3) is provided with special signal-coloured shoulder straps and is comfortable and easy to care for. We strongly recommend its use.
- The **protective brace and bib overall** (4) is made of a nylon fabric with 22 layers and protects against cuts. We strongly recommend its use.
- **Work gloves** (5) of stout leather are part of the basic equipment of the hedge trimmer and must always be worn when working with it.
- During operation of the hedge trimmer **safety shoes** or **safety boots** (6) fitted with anti skid sole, steel toe caps and protection for the leg must always to be worn. Safety shoes equipped with a protective layer provide protection against cuts and ensure a secure footing.

Fuels / Refuelling

- Stop the engine before refuelling the hedge trimmer.
- Do not smoke or work near open fires (5).
- Let the engine cool down before refuelling.



- Fuels can contain substances similar to solvents. Eyes and skin should not come in contact with mineral oil products. Always wear protective gloves when refuelling. Frequently clean and change protective clothes. Do not breathe in fuel vapors. Inhalation of fuel vapours can be hazardous to your health.
- Do not spill fuel or oil. When you have spilt fuel or oil immediately clean the hedge trimmer. Fuel should not come in contact with clothes. If your clothes have come in contact with fuel, change them et once.
- Ensure that no fuel or oil oozes into the soil (environmental protection). Use an appropriate base.
- Refuelling is not allowed in closed rooms. Fuel vapors will accumulate near the floor (explosion hazard).
- Ensure to firmly tighten the screw plugs of the fuel tank.
- Change the place before starting the hedge trimmer (at least 3 m from the place of refuelling) (6).
- Fuel cannot be stored for an unlimited period of time. Buy only as much as will be consumed in the near future.
- Use only approved and marked containers for the transport and storage of fuel. Ensure children have no access to fuel.



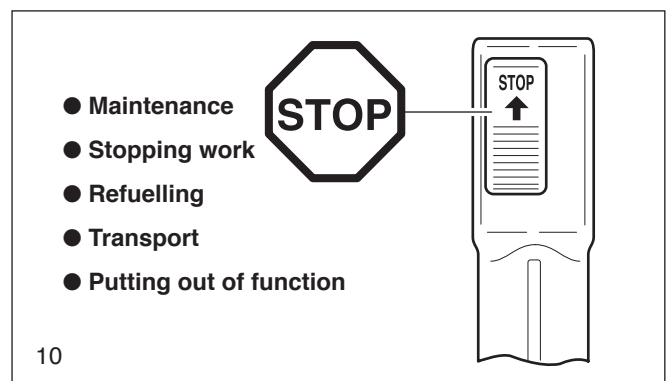
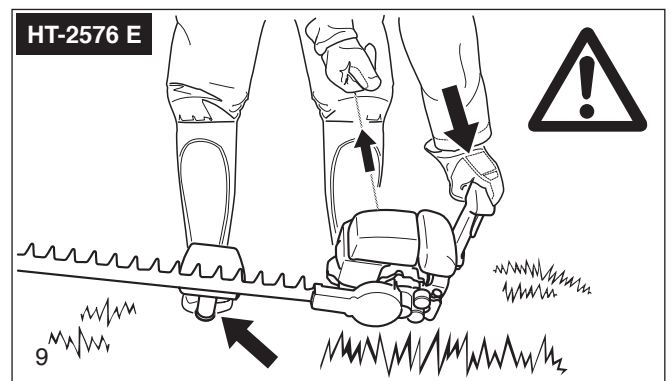
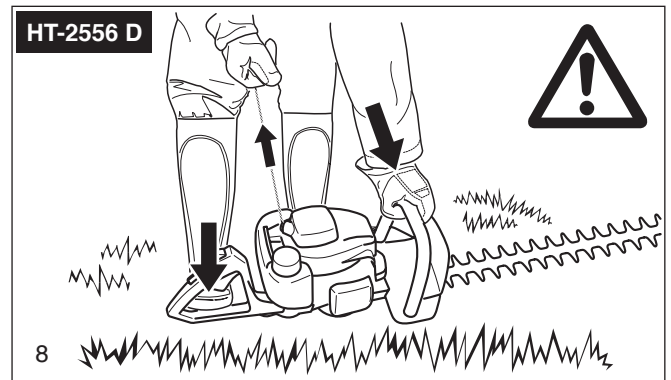
Starting operation

- **Do not work on your own. Another person must be nearby in case of emergencies** (within shouting distance).
- Make sure that there are no children or other persons within the hedge trimmer work zone (at least 15 m / 50 ft. away). Look out for animals (7).

- **Before starting work check to make sure that the trimmer is in good and safe working order. This is a must!**

Be certain that screws and bolts are tightly seated, the cutter is sharp and undamaged, the throttle works easily, the safety cutoff functions properly, the grips are clean and dry and the Start/Stop switch works properly.

- The hedge trimmer must not be used unless fully assembled!
- Make sure you have a secure footing before starting operation.
- Start the trimmer only as described in the Instruction Manual (8 or 9). Do not use any other starting methods.
- During starting, place the tool on a stable surface and hold it steady. The cutter must not be obstructed.
- **Always hold the trimmer with both hands when working.** One hand on the rear grip, the other on the front grip. Hold each grip with your thumb around it.
- **CAUTION: The blade will still run for a short time after you release the throttle** (free-running effect).
- Before starting the hedge trimmer ensure that you have a safe footing.
- Use the trimmer in such a way that exhaust cannot be inhaled. Do not work in enclosed spaces (poisoning hazard).
- **Immediately turn off the engine if there is any noticeable change in the way the tool runs.**
- **Always turn off the engine before checking the condition of the tool, taking care of problems or refuelling** (10).
- Always turn off the engine before removing any jammed cuttings from the cutter.
- If the cutter touches rocks, nails or other hard objects, immediately switch off the engine and check the blade.
- When stopping work or leaving the working place switch off the hedge trimmer (10) and put it down such that nobody is endangered.
- Do not put the overheated power hedge trimmer in dry grass or on any inflammable objects. The muffler is very hot (danger of fire).



Working technique

- Work only in good lighting and visibility. Be especially careful on slippery and wet surfaces, ice, and snow (danger of slipping).
- Never work on an unstable surface. Pay attention to obstacles in the work area - risk of stumbling! Pay constant attention to good footing.
- Never cut above your shoulder height.
- Never use the trimmer while standing on a ladder.
- Do not bend too far over while working.
- Always cut away from your body.
- Do not allow the cutter to touch the ground when running.
- Never touch the cutter during operation!
- Do not use the cutter to lift or push away pieces of wood or other objects.
- Keep the trimming area free of foreign objects such as sand, rocks, nails etc. These and other foreign objects will damage the cutter.
- Be especially careful around wire fences. Do not touch the wire with the cutter.
- Always start the cut with the cutter running.
- The trimmer can cut twigs up to 8 mm diameter, but this depends on the species, age, moisture content and hardness of the wood.
- Cut thick branches to length with pruning shears before trimming the hedge.
- **Do not start working until you have made sure that:**
 - a) No other persons or animals are within the working area.
 - b) The trimmer operator can step back unhindered in the event of an emergency.
 - c) The ground is free of all foreign objects, brush, and branches. The operator must have a sure footing (risk of stumbling).

Transportation and storage

- **Always turn off the trimmer for transportation and when moving from one workplace to another.**
- **Never carry or transport the trimmer with the cutter running!**
- **Never touch the cutter without protective gloves!**
- Always put the supplied blade guard on the cutter before transporting the trimmer for long distances.
- Carry the trimmer only by the grips. The cutter should be pointing backwards.
- When carrying the hedge trimmer in a vehicle, make sure it is in a secure position. It should be transported only in the trunk or in a transport area separate from the driver.
- Store the trimmer with the blade guard on the cutter in a safe place in a dry room. Keep it out of reach of children. Never store the trimmer outdoors.



- After use, clean the trimmer, in particular the cutter. Oil the cutter lightly and put on the blade guard.
- Empty the fuel tank completely before long-term storage or shipping the trimmer.

Maintenance



- **Always switch off the trimmer and pull off the spark plug cap before doing any maintenance!**
- Pay special attention to the proper condition of the trimmer, in particular the cutter, which should be undamaged and in proper condition.
- Operate the tool so as to minimize noise and emissions (do not operate the trimmer if the muffler is defective, and make sure to use the right fuel mixture).
- Regularly clean the trimmer.
- Check the fuel cap for a tight seal at regular intervals.

Follow the accident-prevention instructions and recommendations of your trade association or insurer.

Do not make any modifications to the hedge trimmer. Doing so will only endanger your safety.

Perform only the maintenance and repair works described in the instruction manual. All other work must be carried out by DOLMAR Service.

Use only original spare parts and accessories.

Using other than original DOLMAR parts or accessories brings a high risk of accidents. We cannot accept any responsibility for accidents and damage resulting from non-DOLMAR parts and accessories which have not been approved.



First aid

For the event of a possible accident, please make sure that a first aid kit is always immediately available close by. Immediately replace any items used from the first aid box.

When calling for help, give the following information:

- Place of the accident
- What happened
- Number of injured
- Kind of injuries
- Your name!

NOTE

Individuals with poor circulation who are exposed to excessive vibration may experience injury to blood vessels or the nervous system.

Vibration may cause the following symptoms to occur in the fingers, hands or wrists: "Falling asleep" (numbness), tingling, pain, stabbing sensation, alteration of skin colour or of the skin.

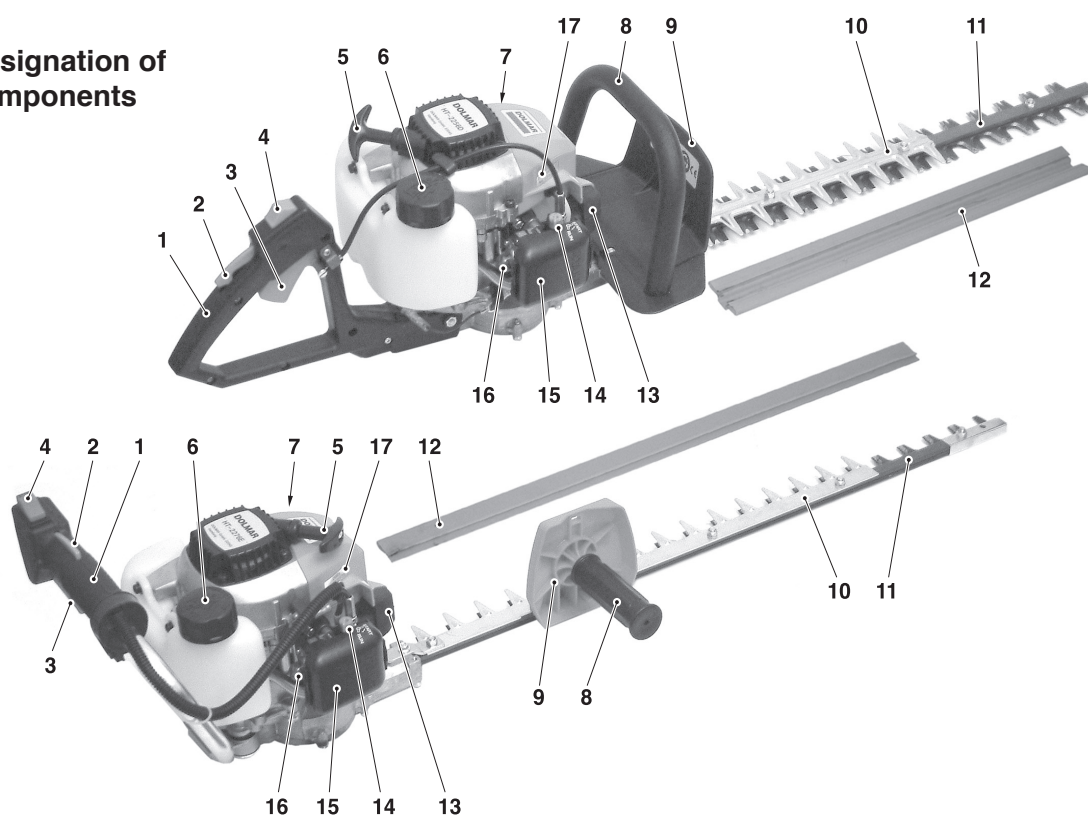
If any of these symptoms occur, see a physician!

Technical Data

		HT-2556 D	HT-2576 E
Stroke volume	cm ³	24,5	24,5
Max. power at speed	kW / rpm	0,88 / 7.000	0,88 / 7.000
Idling speed / Max. engine speed with cutter	rpm	2.600 / 9.800	2.600 / 9.800
Clutch engagement speed	rpm	3.600	3.600
Sound pressure level at the workplace L _{PA,av} per EN 774/A3 ¹⁾	dB (A)	89,4	95,7
Sound power level L _{WA,av} per EN 774/A3 ¹⁾	dB (A)	106,9	109,8
Vibration acceleration a _{h,w,av} per EN 774/A3 ¹⁾			
- Front grip (idle / full load speed)	m/s ²	6,8 / 11	7,0 / 13,3
- Rear grip (idle / full load speed)	m/s ²	8,6 / 11,7	6,4 / 7,7
Carburetor	Type	WALBRO WYL	WALBRO WYL
Ignition system	Type	electronic	electronic
Spark plug	Type	NGK-BMR7A	NGK-BMR7A
Electrode gap	mm	0,6 - 0,7	0,6 - 0,7
Chain oil tank capacity	l	0,6	0,6
Mixture ratio (fuel/two-stroke oil)			
- when using DOLMAR oil		50 : 1	50 : 1
- when using other oils		40 : 1	40 : 1
Cut length	cm	56	75
Stroke rate (n _o)	n/min	2.365	2.365
Stroke length	mm	18	18
Max. cut diameter	mm	8	8
Tooth interval	mm	28	28
Weight (empty tank, blade guard removed)	kg	5,1	5,4
Dimensions (length, width, height)	mm	840 / 246 / 225	1.041 / 280 / 258

¹⁾ Specifications apply to idle and full load speed in equal proportions.

Designation of components



DOLMAR

- | | | |
|-----------------------|-----------------|------------------------|
| 1 Rear grip | 7 Muffler | 13 Spark plug cap |
| 2 Safety cutoff | 8 Front grip | 14 Start lever (choke) |
| 3 Throttle lever | 9 Hand guard | 15 Air filter cover |
| 4 ON/OFF (I/O) switch | 10 Impact guard | 16 Fuel pump (primer) |
| 5 Starter grip | 11 Cutter | 17 Serial number |
| 6 Fuel tank cap | 12 Blade guard | |

PUTTING INTO OPERATION

Fuel

CAUTION:

This trimmer is powered by mineral-oil products (gasoline (petrol) and oil).

Be especially careful when handling gasoline (petrol).

Avoid all flame or fire. Do not smoke (explosion hazard).



Fuel mixture

The engine of the hedge trimmer is a high-efficiency two-stroke engine. It runs on a mixture of gasoline and two-stroke engine oil.

The engine is designed for unleaded regular gasoline with a min. octane value of 91 ROZ. In case no such fuel is available, you can use fuel with a higher octane value. This will not affect the engine.

In order to obtain an optimum engine output and to protect your health and the environment use unleaded fuel only.

For lubricating the engine use a two-stroke engine oil (quality grade: JASO FC or ISO EGD), which is added to the fuel. The engine has been designed for use of DOLMAR high-performance two-stroke engine oil and a mixture ratio of only 50:1 to protect the environment. In addition, a long service life and reliable operation with a minimum emission of exhaust gases are ensured. DOLMAR high-performance two-stroke engine oil is available in the following sizes to suit your individual requirements:

1 l	order number 980 008 107
100 ml	order number 980 008 106

In case DOLMAR high-performance two-stroke engine oil is not available, it is urgently recommended to use a mixture ratio of 40:1 with other two-stroke engine oils, as otherwise optimum operation of the engine cannot be guaranteed.



Caution: Do not use ready-mixed fuel from petrol stations.

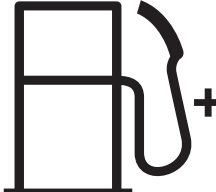
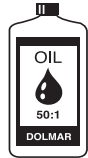

The correct mixture ratio:

50:1 when using DOLMAR high-performance two-stroke engine oil, i. e. mix 50 parts gasoline with 1 part oil.

40:1 when using other two-stroke engine oils, i. e. mix 40 parts gasoline with 1 part oil.

NOTE:

For preparing the fuel-oil mixture first mix the entire oil quantity with half of the fuel required, then add the remaining fuel. Thoroughly shake the mixture before filling it into the hedge trimmer tank.

Gasoline	50:1	40:1
		
1000 cm ³ (1 litre)	20 cm ³	25 cm ³
5000 cm ³ (5 litres)	100 cm ³	125 cm ³
10000 cm ³ (10 litres)	200 cm ³	250 cm ³

It is not wise to add more engine oil than specified to ensure safe operation. This will only result in a higher production of combustion residues which will pollute the environment and clog the exhaust channel in the cylinder as well as the muffler. In addition, fuel consumption will rise and performance will decrease.

The Storage of Fuel

Fuels have a limited storage life. Fuel and fuel mixtures age. Therefore fuel and fuel mixtures, which have been stored for too long, can cause starting problems. Purchase only that amount of fuel, which will be consumed over the next few months.

Store fuel safely in a dry place in approved containers only.

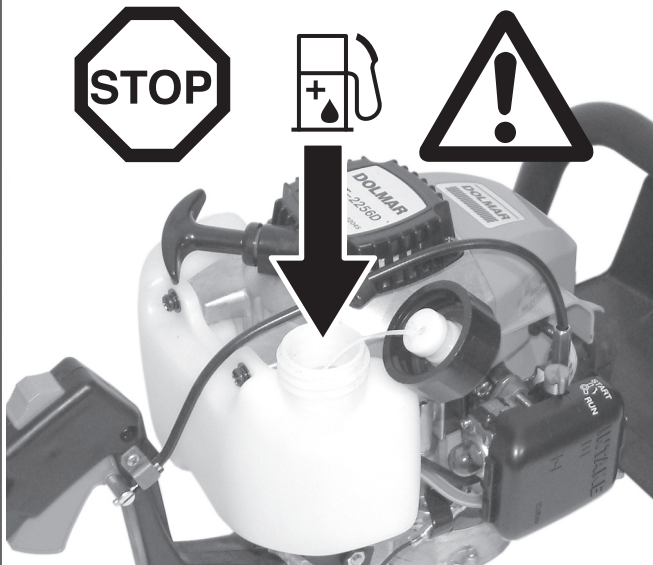
AVOID SKIN AND EYE CONTACT

Mineral oil products degrease your skin. If your skin comes in contact with these substances repeatedly and for an extended period of time, it will desiccate. Various skin diseases may result. In addition, allergic reactions are known to occur.

Eyes can be irritated by contact with oil. If oil comes into your eyes, immediately wash them with clear water.

If your eyes are still irritated, see a doctor immediately!

fuel/oil mixture



Refuelling



FOLLOW THE SAFETY PRECAUTIONS!

Be careful and cautious when handling fuels.

Refuel only with the engine switched off and cooled down!

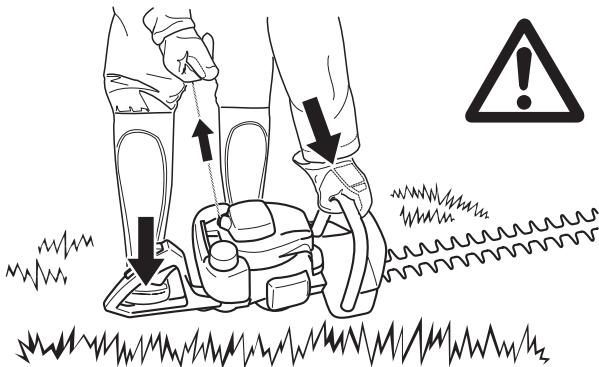
Thoroughly clean the area around the caps, to prevent dirt from getting into the fuel tank.

Unscrew the tank cap and fill the tank with fuel mixture until it reaches the bottom edge of the filler neck. Be careful not to spill fuel when pouring.

Screw the tank cap back on **hand tight**.

After refuelling, clean the tank cap and area, and check for leaks!

B



Starting position for the HT-2556 D

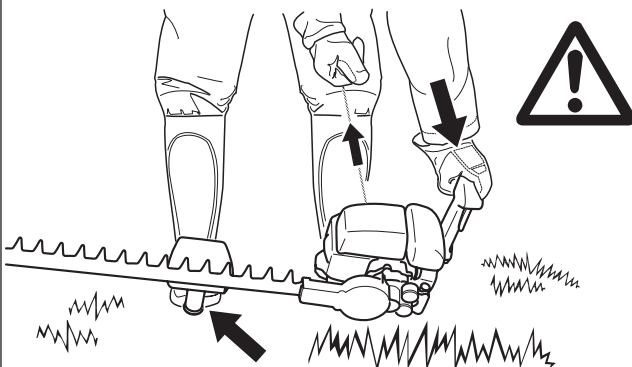
Start the trimmer only after it has been completely assembled!

Move at least 3 meters (10 feet) away from where you fuelled the trimmer. Make sure you have a secure footing, and place the trimmer on the ground (cutter to the left).

The tip of your right foot should be firmly placed in the rear handguard.

Grasp the front grip firmly with your left hand and tip the trimmer away from yourself until you feel resistance (**the cutter will be lifted slightly so that it is not touching the ground**).

Do not use any other starting method!



Starting position for the HT-2576 E

Start the trimmer only after it has been completely assembled!

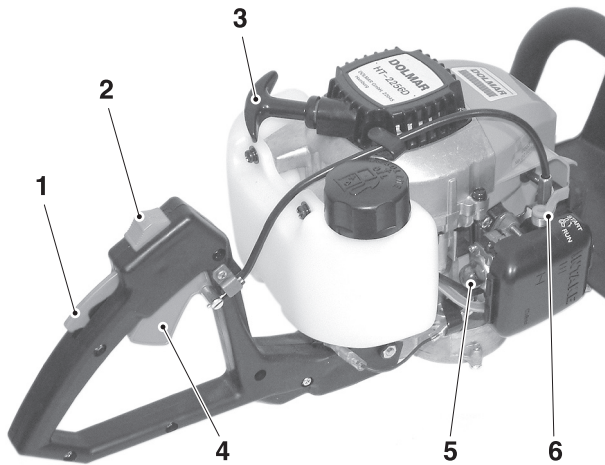
Move at least 3 meters (10 feet) away from where you fuelled the trimmer. Make sure you have a secure footing, and place the trimmer on the ground (cutter to the right).

The tip of your right foot should be firmly placed on the front grip.

Grasp the rear grip firmly from the top with your left hand and tip the trimmer away from yourself until you feel resistance (**the cutter will be lifted slightly so that it is not touching the ground**).

Do not use any other starting method!

C



The figure shows HT-2556 D.
These operations are identical for the HT-2576 E.

D

Cold start:

Move the ON/OFF (I/O) switch (2) to position “I”.
Turn the starting lever (6) to the **START** position.
Press the fuel pump (5) several (7-10) times to supply fuel to the carburetor.
Assume the starting position (see above under **Starting position**).

Pull the starter cable by the grip (3) out slowly until you feel resistance (the piston is now before top dead center).

Pull quickly and powerfully until the engine starts.

Caution: Never pull the starter cable out more than about 50 cm (20”), and guide it back slowly by hand.

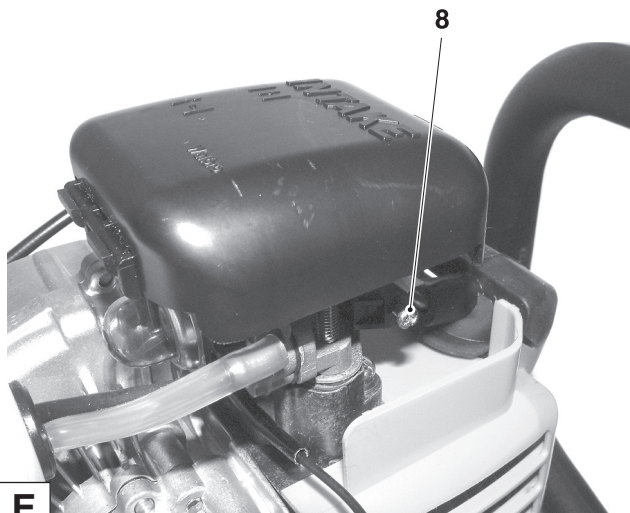
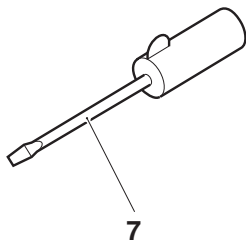
As soon as the engine is running, grasp the grip (the safety cutoff (1) is actuated by the palm of the hand) and tap the throttle (4). The starting lever (6) will move to the **RUN** position and the engine will run in idle.

Warm starting:

Move the ON/OFF (I/O) switch (2) to position “I” and start the engine. If necessary push the fuel pump (5) a few times.

Switching off the engine

Move the ON/OFF (I/O) switch (2) to position “O” ().



E

Adjusting the carburetor (idle)

The carburetor is an injection model with fixed nozzles. This makes adjustment of the idle and main nozzle superfluous, and these are impossible on this model.

If necessary, the idle speed can be adjusted with the adjustment screw (8).

Idle speed correction is necessary if the blade moves in idle (i.e. when the throttle is not actuated).

The blade must be completely stationary in idle!

Use a screwdriver (7, blade width 4 mm, part no. 944 340 001) for this adjustment.

Let the engine warm up for 3-5 minutes before adjusting the carburetor.

Avoid high engine speeds!

Adjusting the idle speed

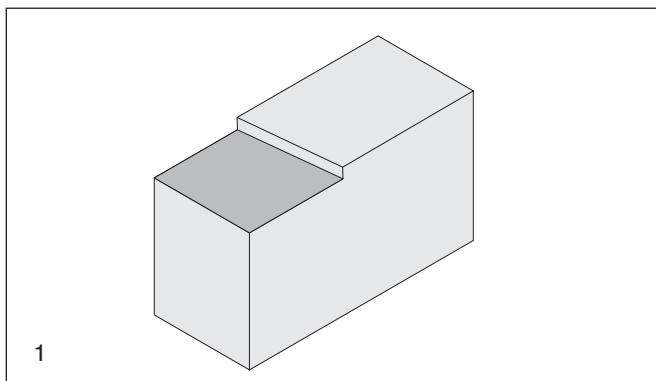
Turning the adjustment screw (8) counter-clockwise:
Idle speed goes down.

Turnign the adjustment screw clockwise:
Idle speed goes up.

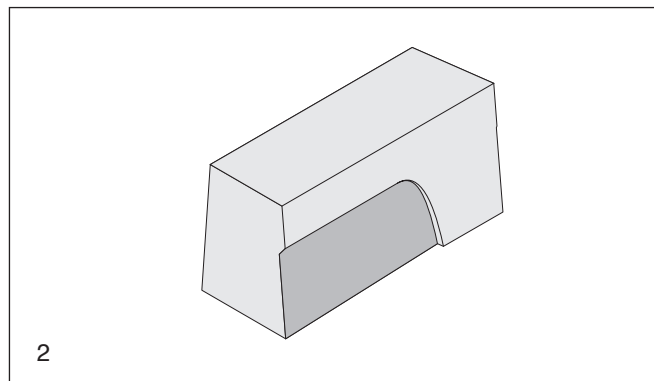
Caution: If the blade still does not come to a stop in idle even after idle speed adjustment, do not work with the trimmer under any circumstances. Take it to a DOLMAR service centre!

Tips on trimming hedges

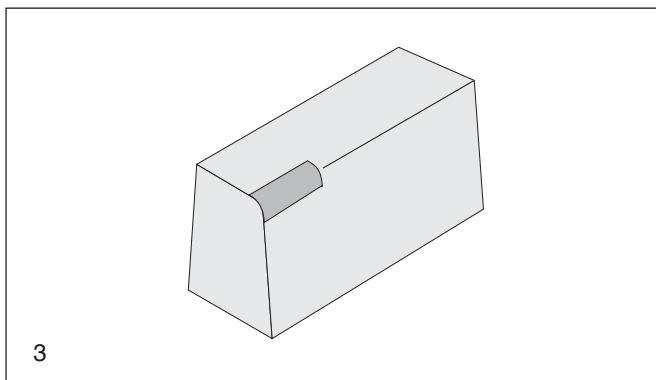
The procedure described here can be used very often and makes working easier. If a hedge has to be cut back very substantially, it should be trimmed in two passes. The trapezoidal form shown prevents the lower portion of the hedge from thinning out due to lack of light.



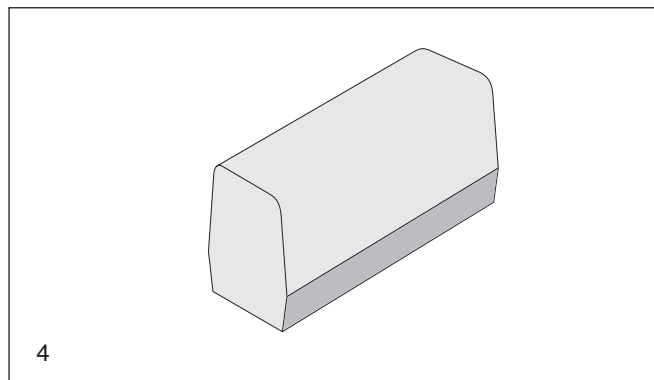
- First cut the hedge to the desired height (1). With practice, it is possible to remove cut material from the hedge with a swinging motion. To get a straight cut, stretch a string along the hedge at the desired height.



- Trim the hedge to a trapezoidal shape (about 10 cm / 4" in at the top for every 1 m / 3'3" of height), cutting from bottom to top (2). In this way you avoid cut material falling down into the area not yet cut.



- Round off the top edges of the hedge (3), and finally trim the bottom edges back somewhat (4).



The best times to trim hedges are:

Broad-leaf hedges: June and October

Coniferous hedges: April and August

Fast-growing hedges: About every 6 weeks starting in May

Environmental protection information

Do not use the hedge trimmer during times when people are likely to be resting.

Before trimming a hedge, check to make sure that no birds are nesting in it. If they are, wait until the young have left the nest before trimming near that part of the hedge.

Dispose of cut material in an environment-friendly way, or compost it.

MAINTENANCE



General

CAUTION: Never do maintenance work near an open flame. **FIRE HAZARD!**

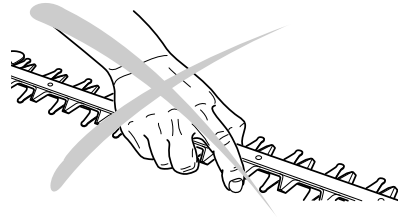
CAUTION: Before doing any work on the trimmer, always switch off the engine, pull the spark plug cap (see Changing the spark plug) and wear protective gloves!

Do not attempt to repair a damaged cutter (bent, broken)!

Clean the trimmer regularly and make sure all screw fasteners are tight.

Cleaning and care

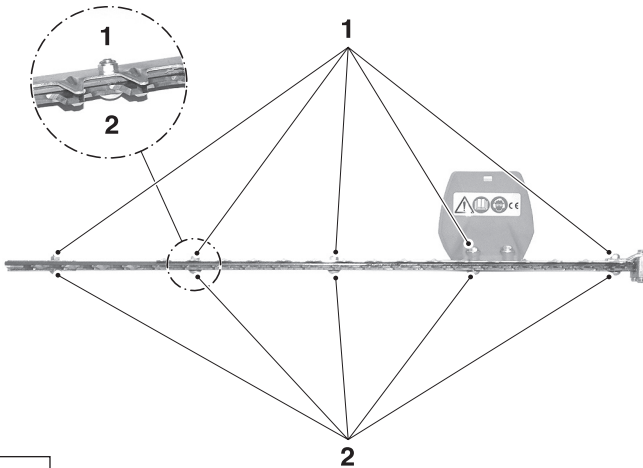
Caution: Be especially careful when cleaning and caring for the cutter (injury hazard!). Never touch the cutter with bare hands. Always wear protective gloves!



Regularly check the cutter for damage and clean it with a suitable brush or cloth.

If after extended use cutting performance is no longer satisfactory, the blade needs resharpening. Take it to a DOLMAR service centre.

A



Adjusting the cutter slide play

CAUTION: Switch off the engine, pull the spark plug cap and wear protective gloves!

The slide play needs adjustment when cuttings get stuck between the blades or the play becomes excessive after extended use through normal cutter wear.

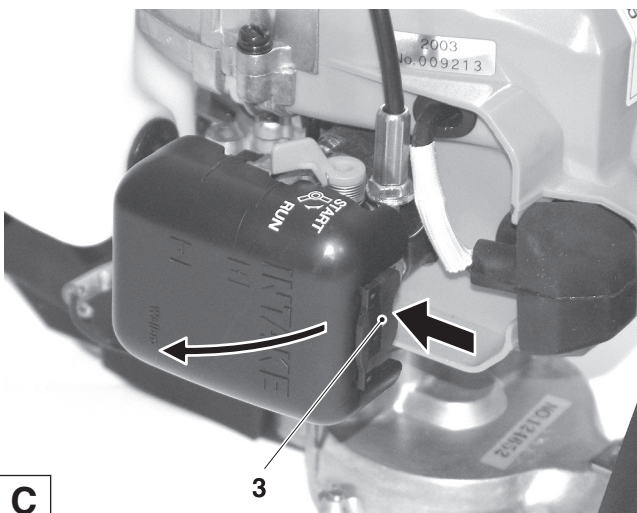
Loosen nuts (1) one or two turns. Tighten screws (2) only slightly (if necessary, loosen them beforehand).

Adjust all screws as follows: Loosen 1/4 turn and hold in this position with screwdriver. Tighten nut (1).

NOTE: The play is correct when it is just possible to move the disc under the screw head back and forth by hand. Then lubricate the cutter with a few drops of oil.

Caution: If the play is insufficient, the cutter will heat up and can become damaged.

B



Cleaning the air filter insert

- Push the tab (3) in the direction of the arrow and lift open the air filter cover.
- Take out the foam filter insert.

Caution: To prevent eye injuries, do not blow dirt particles out.

- If the insert is very dirty, wash it out with standard dishwashing liquid.
- Clean it often if it gets very dirty. The engine can only develop its full power with a clean filter insert.
- Before putting the insert back in, clean out the interior of the air filter with a brush. **Do not allow dirt particles to get into the induction opening of the carburetor!**
- Let the filter insert **dry thoroughly** and put it back in the filter.

Caution: If the filter insert is damaged, replace it immediately! Torn bits of fabric and large dirt particles can destroy the engine.

C

Replacing the spark plug



CAUTION:

Do not touch the spark plug or plug cap if the engine is running (high voltage).

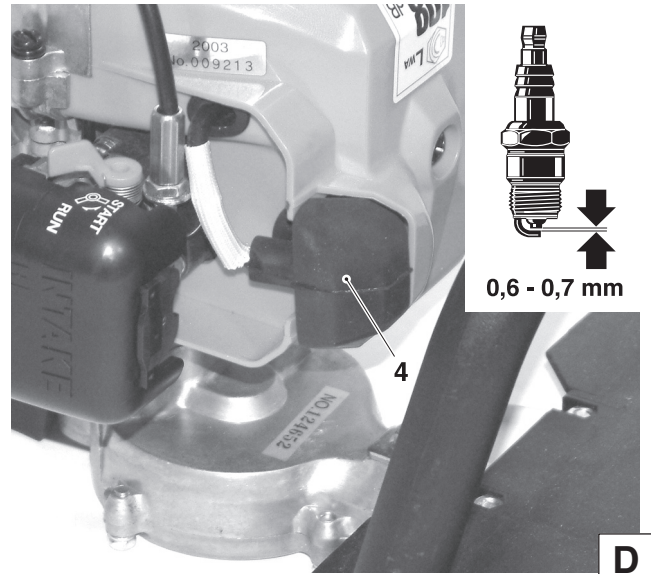
Switch off the engine before starting any maintenance work. A hot engine can cause burns. Wear protective gloves!

The spark plug must be replaced in case of damage to the insulator, electrode erosion (burn) or if the electrodes are very dirty or oily.

Pull the plug cap (4) off the spark plug. Use only the combination wrench supplied with the saw to remove the spark plug.

Electrode gap

The electrode gap must be 0,6 - 0,7.



Checking the ignition spark

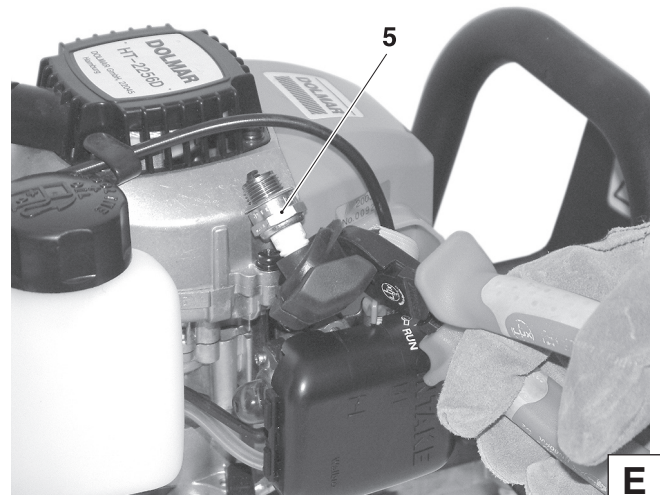
Use insulated pliers to hold the loose spark plug (5), with the spark plug cap firmly attached, against the engine housing (away from the spark plug hole!).

Put the ON/OFF (I/O) switch in the "I" position.

Pull the starter cable hard.

If the function is correct, an ignition spark must be visible near the electrodes.

CAUTION: Use only the following spark plug: NGK BPMP 7A.



Checking the muffler bolts / cleaning the exhaust outlet

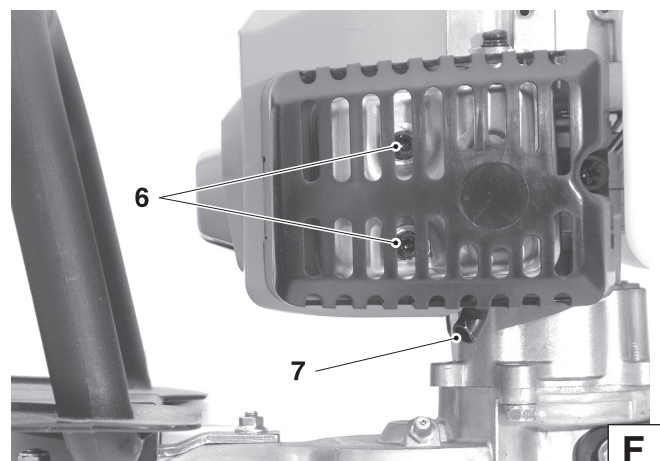


Caution:

Do not tighten the muffler bolts when the engine is hot!

The muffler bolts (6) are directly accessible so they can be checked for tightness. If loose, hand-tighten (caution: do not over-tighten).

Regularly clean the exhaust outlet (7) with a suitable tool.

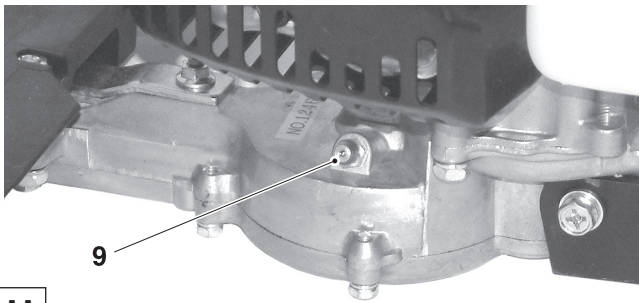




Replacing the suction head

The felt filter (8) of the suction head can become clogged. It is recommended to replace the suction head once every three months in order to ensure unimpeded fuel flow to the carburetor.

To remove the suction head for replacement, pull it out through the tank filler neck using a piece of wire bent at one end to form a hook.



Lubricating the drive

The drive needs to be lubricated every 10 to 20 operating hours.

Apply a grease gun at the lubrication opening (9) and press in grease (SHELL ALVANIA RL3 or equivalent).

Instructions for periodic maintenance

To ensure long life, prevent damage and ensure the full functioning of the safety features the following maintenance must be performed regularly. Guarantee claims can be recognized only if this work is performed regularly and properly. Failure to perform the prescribed maintenance work can lead to accidents!

The user of the hedge trimmer must not perform maintenance work which is not described in the instruction manual. All such work must be carried out by a DOLMAR service centre.

			Page
General	Hedge trimmer cutter Guide bar	Clean exterior, check for damage. In case of damage, have repaired by a qualified service centre immediately If necessary, have sharpened by a service centre Check for damage. If damaged, have replaced at service centre	
Before each start	cutter	Check for damage and sharpness Check slide play, if necessary adjust	12
	ON/OFF switch, Safety locking button, Throttle lever Fuel tank cap	Functional check Check for tightness	10
Every day	Air filter insert	Clean (more frequently if very dirty)	12
	Idle speed	Check (cutter must not move)	10
Every week	Fan housing	Clean to maintain good cooling air flow.	
	Spark plug	Check and replace if necessary	13
	Muffler	Check for clogging, check bolts	13
Every 3 months	Suction head	Replace	14
	Fuel tank	Clean	
	Drive	Lubricate (every 10-20 hours)	14
Annually	Hedge trimmer	Check at an authorized service centre	
Storage	Hedge trimmer	Clean exterior, check for damage. In case of damage, have repaired by a qualified service centre immediately	
	cutter	Lightly oil	
	Fuel tank	Empty and clean	
	Carburetor	Run empty	

Service, spare parts and guarantee

Workshop service

The maintenance and repair of modern hedge trimmers as well as all safety devices require qualified technical training and a special workshop equipped with special tools and testing devices.

All work not described in this Instruction Manual must be done only by a DOLMAR service centre.

The DOLMAR service centres have all the necessary equipment and skilled and experienced personnel, who can work out cost-effective solutions and advise you in all matters.

Repair attempts by third parties or unauthorized persons will void the warranty.

Please contact your nearest service centre (list enclosed).

Spare parts

Reliable long-term operation, as well as the safety of your hedge trimmer, depend among other things on the quality of the spare parts used. Use only original DOLMAR parts.

Only original spare parts and accessories guarantee the highest quality in material, dimensions, function and safety.

Original spare parts and accessories can be obtained from your local dealer. He will also have the spare part lists to determine the required spare part numbers, and will be constantly informed about the latest improvements and spare part innovations.

Please bear in mind that if parts other than original DOLMAR spare parts are used, this will automatically invalidate the DOLMAR product guarantee.

Guarantee

DOLMAR guarantees the highest quality and will therefore reimburse all costs for repair by replacement of damaged parts resulting from material or production faults occurring within the guarantee period after purchase. Please note that in some countries particular guarantee conditions may exist. If you have any questions, please contact your salesman, who is responsible for the guarantee of the product.

Please note that we cannot accept any responsibility for damage caused by:

- Disregard of the instruction manual.
- Non-performance of the required maintenance and cleaning.
- Normal wear and tear.
- Obvious overloading due to permanent exceeding of the upper performance limits.
- Use of force, improper use, misuse or accidents.
- Damage from overheating due to dirt on the fan housing.
- Work on the hedge trimmer by unskilled persons or inappropriate repairs.
- Use of unsuitable spare parts or parts which are not original DOLMAR parts, insofar as they have caused the damage.
- Use of unsuitable or old oil.
- Damage related to conditions arising from lease or rent contracts.

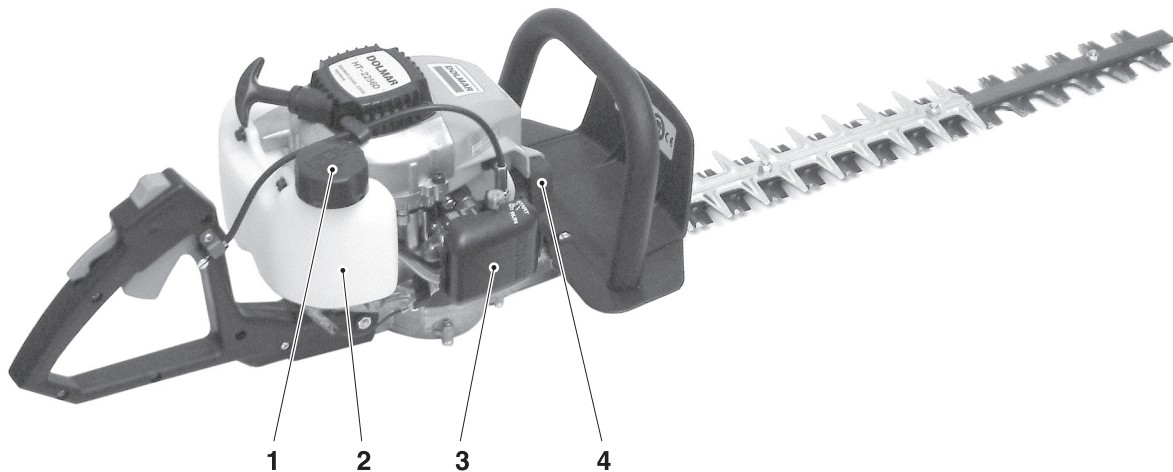
Cleaning, servicing and adjustment work is not covered by the guarantee. All repairs covered by the guarantee must be performed by a DOLMAR service centre.

Trouble shooting

Malfunction	System	Observation	Cause
cutter does not move	Clutch	Engine runs	Clutch damaged
cutter gets very hot	cutter	High heating	Insufficient cutter slide play
Engine does not start or only with difficulty	Ignition system Fuel supply Compression system Mechanical malfunction	Ignition spark No ignition spark Fuel tank is filled Inside rings defective Outside Starter does not engage the engine.	Malfunction in fuel supply system, compression system, mechanical malfunction. Switch on STOP, fault or short-circuit in the wiring, plug cap or spark plug defective. Carburetor defective, suction head dirty, fuel line bent or interrupted Cylinder base packing ring defective, radial shaft packings defective, cylinder or piston Spark plug does not seal. Spring in starter broken, broken parts inside
Warm start difficulties	Carburetor	Fuel tank is filled Ignition spark	Wrong carburetor adjustment.
Engine starts, but dies immediately	Fuel supply	Fuel tank is filled	Wrong idling adjustment, suction head or carburetor dirty Tank venting defective, fuel line interrupted, cable defective, ON/OFF switch defective.
Insufficient power	Several systems may be involved simultaneously	Engine is idling	Air filter dirty, Carburetor dirty muffler clogged, exhaust channel in cylinder clogged

Extract from the spare parts list

Use only original DOLMAR parts. For repairs and replacement of other parts, see your DOLMAR service centre.



Pos.	DOLMAR-No.	Qty.	Denomination
1	377 601 400	1	Tank cap, cpl.
2	382 650 390	1	Suction head
3	374 300 401	1	Air filter insert
4	381 014 981	1	Spark plug
-	944 340 001	1	Screwdriver
-	944 350 000	1	Grease gun



DOLMAR GmbH
Postfach 70 04 20
D-22004 Hamburg
Germany
<http://www.dolmar.com>

Specifications subject to change without notice

Form: 995 701 252 (3.06 GB)